

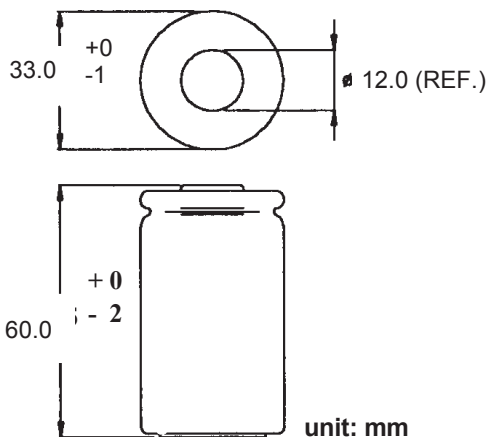
# GP Batteries

## Data Sheet

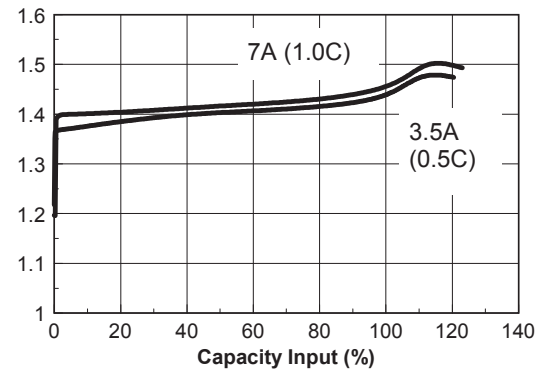
Model No.: 700DH

|                                 |  |               |
|---------------------------------|--|---------------|
| Type                            | : Rechargeable Nickel Metal Hydrid Cylindrical Cell  |               |
| Model                           | : GP700DH  |               |
| Nominal Dimension (with Sleeve) | : $\varnothing = 33.0\text{mm}$<br>H = 60.0mm  |               |
| Application                     | : Recommended discharge current 3500mA to 35A  |               |
| Nominal Voltage                 | : 1.2V   |               |
| Nominal Capacity                | : Min.: 7000mAh<br>Typical: 7350 mAh when discharged at 1400mA to 1.0V at 20°C   |               |
| Charging Condition              | : 700mA for 16 hrs at 20°C   |               |
| Fast charge                     | : 3.5A to 7A (0.5C to 1C)<br>with charge termination control<br>Recommended control parameter:<br>-delta V: 5 - 10mV<br>dT/dt: 0.8 deg.C/min(0.5C to 0.9C)<br>0.8 - 1 deg.C/min (1C)<br>TCO: 40-50 deg. C<br>Timer: 105% nominal input |               |
| Service Life                    | : >500 cycles (IEC standard)   |               |
| Continuous Overcharge           | : 700mA maximum current<br>No conspicuous deformation and /or leakage  |               |
| Weight                          | : 155g   |               |
| Internal Resistance             | : Average 6m $\Omega$ upon fully charged<br>(Range : 4-8m $\Omega$ ) at 1000Hz   |               |
| Max. Charging Voltage           | : 1.5V at 700mA charging   |               |
| Temperature Range               | Standard charging  | : 0 to 40°C   |
|                                 | Fast charging  | : 10 to 45°C  |
|                                 | Discharging  | : -20 to 50°C |
|                                 | Storage  | : -20 to 35°C |
|                                 | Storage (1 week)   | : -20 to 60°C |

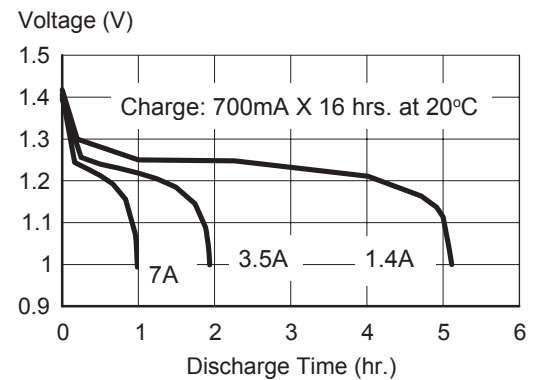
\*



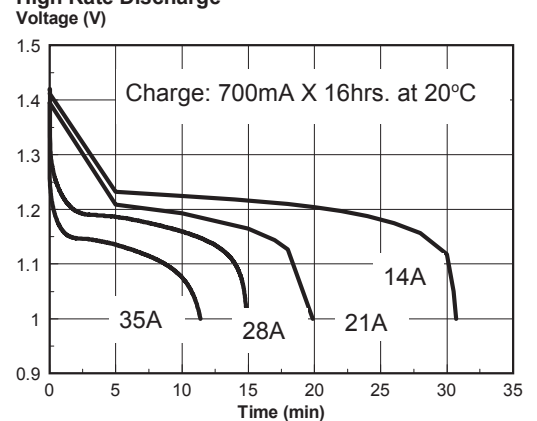
### Fast Charge (Charge Control Required)



### Low Rate Discharge



### High Rate Discharge



\* The information (subject to change without prior notice) contained in this document is for reference only and should not be used as a basis for product described guarantee or warranty. For applications other than those here, please consult your nearest GP Sales and Marketing Office or Distributors.